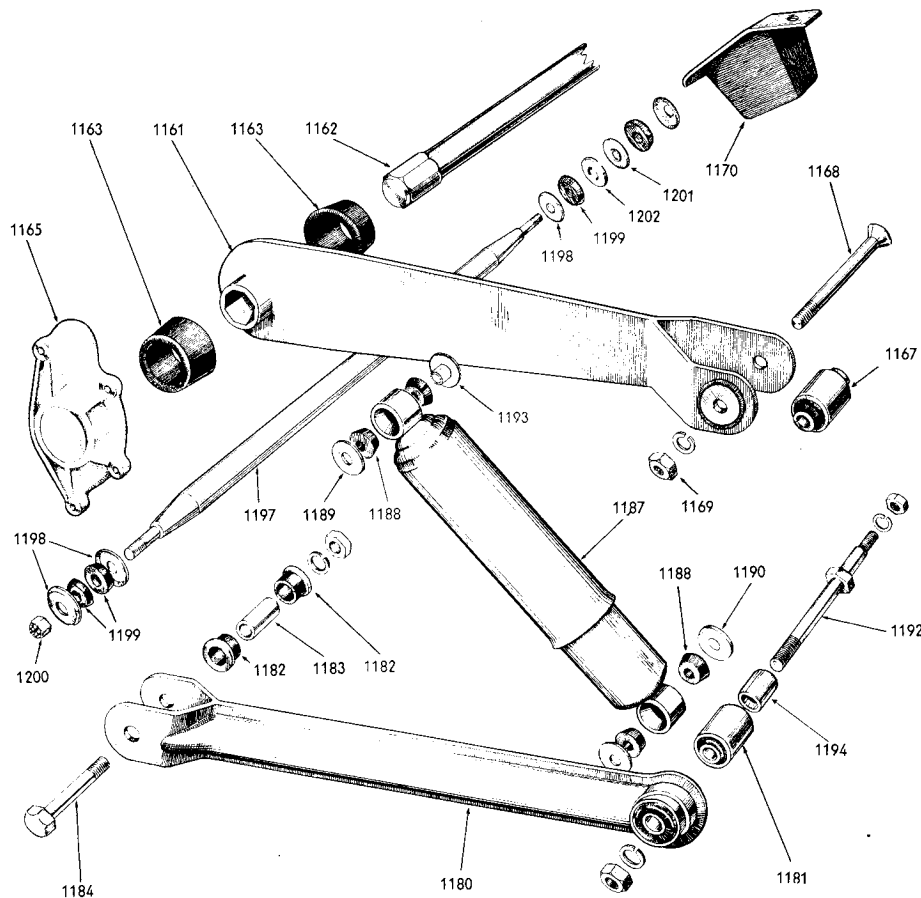


Rear Suspension



Item No.	Part No.	Quantity	Description	Notes
SPRING ARMS				
†1160	52234	1	Rear Spring Arm—R.H.	
1161	52233	1	" " " —L.H.	
1162	50318	2	Torsion Rod	
1163	50256	4	Rear Spring Arm Trunnion Bush	
†1164	50258	1	Spring Bracket Cover—R.H.	
1165	50257	1	" " " —L.H.	
†1166	FB105/6	8	" " " Bolt, $\frac{1}{16}$ in. B.S.F. $\times \frac{3}{4}$ in.	
1167	50259	2	" " Arm Bush	
1168	50260	2	" " Bolt	
1169	FN108/K	2	Nut, $\frac{1}{2}$ in. B.S.F.	
1170	50475	2	Rear Axle Buffer	
REAR AXLE LINKS				
1180	50261	2	Rear Axle Link and Silent-Bloc Bush	
1181	50264	2	Silent-Bloc Bush only	
1182	50265	4	Rear Axle Link Bush	
1183	50266	2	" " Sleeve	
1184	FB108/22	2	Bolt, $\frac{1}{2}$ in. B.S.F. $\times 2\frac{1}{2}$ in.	
REAR SHOCK ABSORBERS				
1187	J54529	2	Rear Shock Absorber	
1188	50469	8	Shock Absorber Bush	
1189	50471	2	" " Washer—Top	
1190	50472	4	" " " —Bottom	
†1191	54389	2	Rear Shock Absorber Support Bracket	
1192	50470	2	Torque Arm Pin	
1193	52151	4	Shock Absorber Bush Thimble	
1194	52585	2	Spacing Collar	
TRANSVERSE STAY				
1197	54104	1	Transverse Stay	
*1198	50270	4	" " Cup	
*1199	50271	4	" " Pad	
*1200	50272	2	" " Nut	
*1201	53352	1	Retaining Stay Rod Bush	
*1202	53353	1	Thrust Stay Bar Pad	

Continued from page 24

Item No.	Part No.	Quantity	Description	Notes	Item No.	Part No.	Quantity	Description	Notes
REAR BRAKE ASSEMBLY									
*1287	54225	2	Adjuster Wedge (GB522)		*†1292	54218	2	Dust Cover Plate (GB40994)	
*1288	54226	2	Tappet—L.H. (GB40876), Bottom		*†1293	54215	4	Slotted Nut, $\frac{1}{4}$ in. A.N.F. (GB41158)	
*1289	54227	2	" —R.H. (GB40877), Top		*1294	54211	2	Top Shoe Return Spring (GB40897)	
*†1290	54213	4	Adjuster Housing Set Bolt (GB41132)		*1295	54212	2	Bottom Shoe Return Spring (GB40655)	
*†1291	54214	4	Grover Washer (GB539)		†1296	54204	8	Nut, $\frac{1}{4}$ in. A.N.F. (GB41356)	
					**1297	54228	2	Rear Backing Plate Assembly (GB41316)	

* Denotes items common to Jupiter

† Denotes items not illustrated

Always quote engine, body-frame, part and item numbers in full.