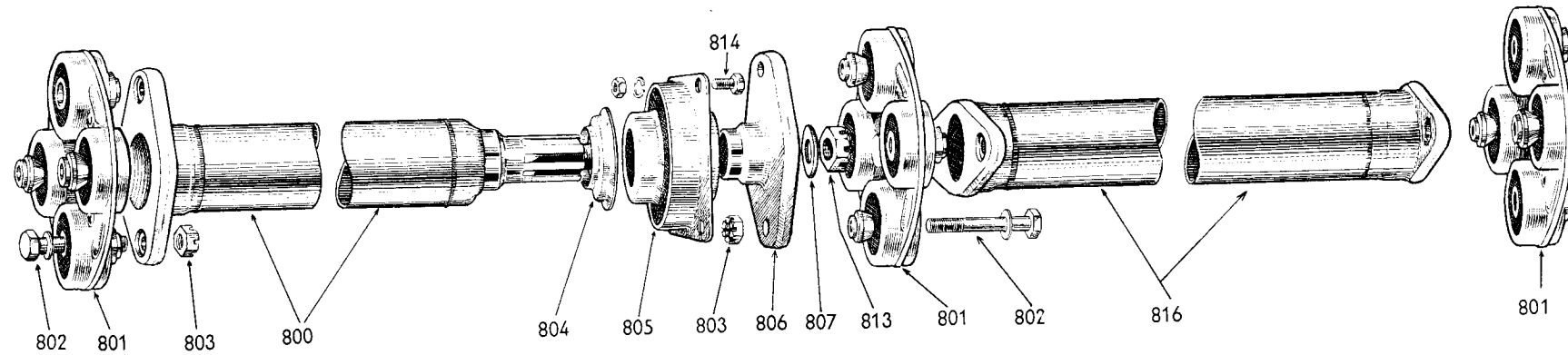


Propeller Shaft



Item No.	Part No.	Quantity	Description	Notes	Item No.	Part No.	Quantity	Description	Notes
			PROPELLER SHAFT		†810	50924	2	Midship Bearing Seal Retainer	
800	50324	1	Propellor Shaft—Front		†811	189	1	„ „ Skefco RLS8	
801	50916	3	Universal Joint		†812	50925	1	„ „ Seal Housing	
802	52556	12	„ „ Bolt, ½ in. B.S.F.		813	FN410, K	1	Slotted Nut, ⅜ in. B.S.F.	
803	FN407K	12	Slotted Nut		814	FS105.4	4	Setscrew, ⅜ in. B.S.F. × ½ in.	
804	50917	1	Midship Bearing Seal Cover		†815	50571	1	Greaser	
805	50918AS	1	„ „ Assembly		816	54106	1	Propellor Shaft—Rear	
806	50927	1	„ „ Companion Flange		†817	52324	1	Midship Bearing Support	
807	50928	1	„ „ „ Collar		†818	52323	2	„ „ „ Strip (Rubber and Fabric)	
†808	50919	1	„ „ Bearing Housing		†819	52325	4	„ „ „ Clamp Plate	
†809	50923	2	„ „ Seal		†820	52722	2	„ „ „ „ Bracket	

* Denotes items common to Jupiter

Always quote engine, body-frame, part and item numbers in full.

† Denotes items not illustrated